

## FEATURES

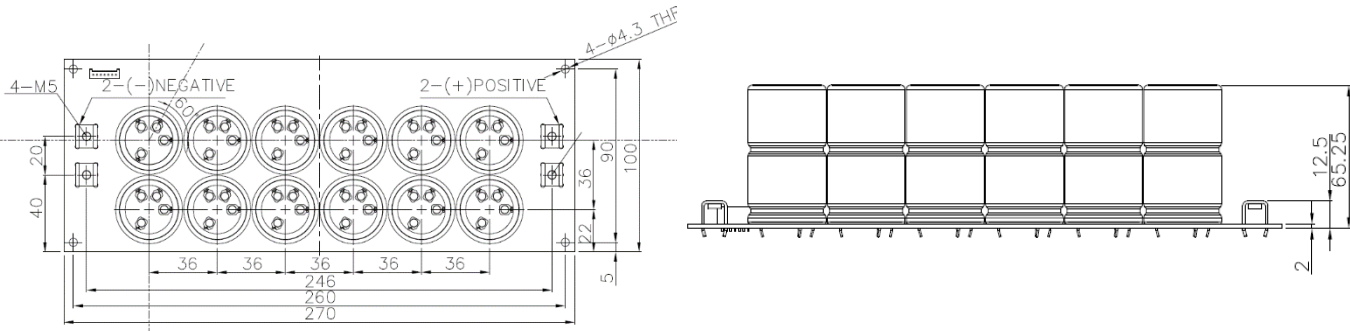
- Ultra-low internal resistance
- Highest power performance available
- Over 20,000 duty cycles
- Compact design

## TYPICAL APPLICATIONS

- Automotive
- Industrial
- Telecommunications
- Transportation
- Uninterruptible Power Supplies(UPS)
- Wind turbines

## Drawing

unit: mm



## SPECIFICATION

ELECTRICAL	VEM18R0127QG
Rated Capacitance	120 F
Capacitance Tolerance	- 10 ~ + 30%
Maximum ESR <sub>AC</sub> initial	10 mΩ
Rated Voltage	16.8 V
Maximum Continuous Current	500A(1second)
Leakage Current, maximum	57.21mA
TEMPERATURE	
Operating Temperature	-40°C ~ 65°C
Storage Temperature	-40°C ~ 70°C
CELL VOLTAGE MANAGEMENT	
CELL Voltage Management	ACTIVE / PASSIVE
PHYSICAL	
Mass, typical	1 kg
Power Terminals	M5 Thread
POWER & ENERGY	
Stored Energy	4.7 Wh
LIFE	
High Temperature (1500 hours)	Capacitance: -20% of initial value, ESR: Within 1.5 times of initial value
Room Temperature (25°C)	Capacitance: -20% of initial value, ESR: Within 1.5 times of initial value
Cycle Life	20,000 cycles(Cycle of charge/discharge from VR to 1/2VR)